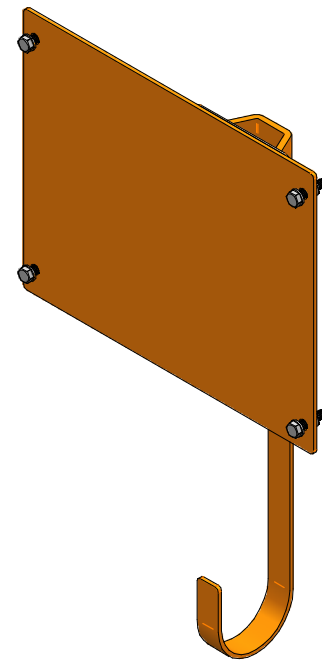
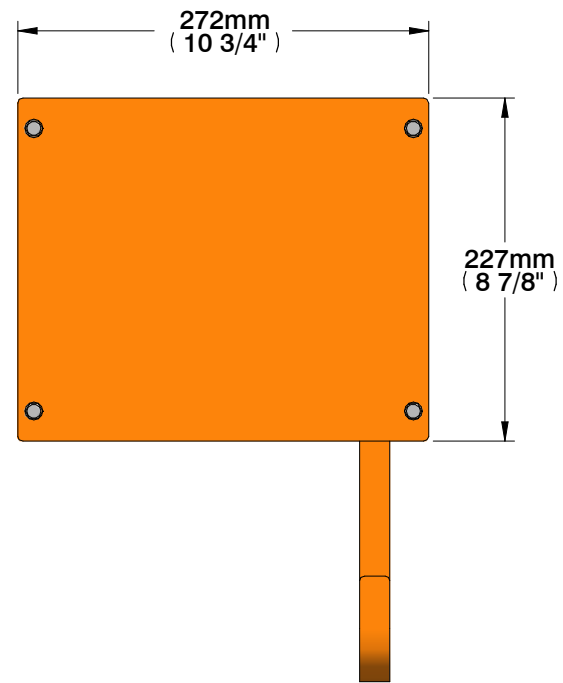
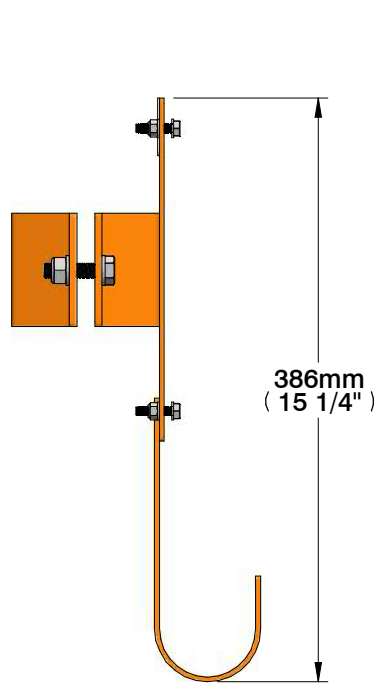
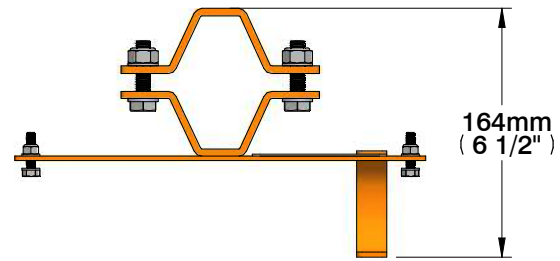


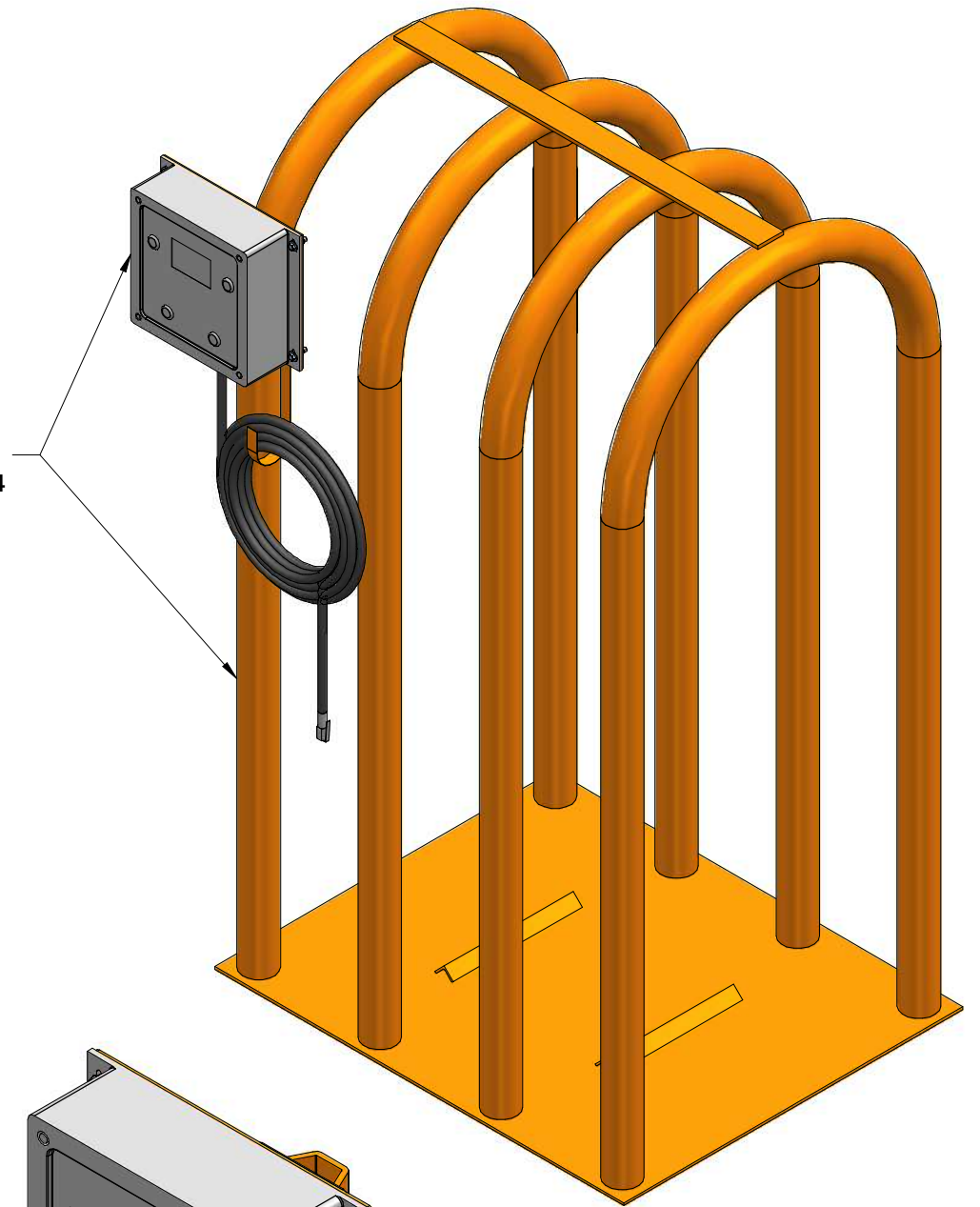
**WEIGHT**

**3.1 kg / 7 lb**

THIS DRAWING AND THE INFORMATION CONTAINED IN THIS DOCUMENT IS THE PROPERTY OF **INDUSTRIES MARTINS INC.** AND SHALL NOT BE REPRODUCED, COPIED, MODIFIED, OR USED WITHOUT THE WRITTEN PERMISSION OF **INDUSTRIES MARTINS INC.**



AUTOMATIC  
INFLATOR AND MIC-4  
(NOT INCLUDED)



(NOT INCLUDED)

