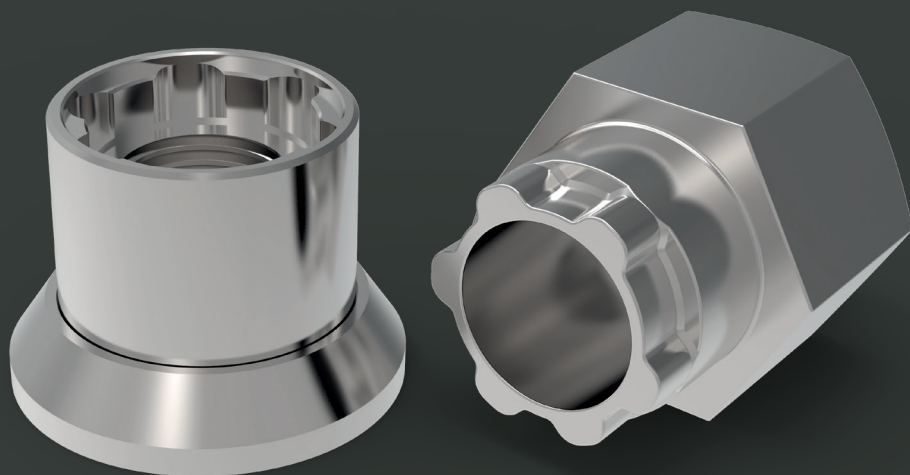


# Trucklock®

Trucklock® is an anti-theft locking nut and key designed to prevent wheel and tyre theft.

SECURITY



# Trucklock®

**Product:** Trucklock®  
**Product Code:** TLK (Key)  
 TL (Lock)

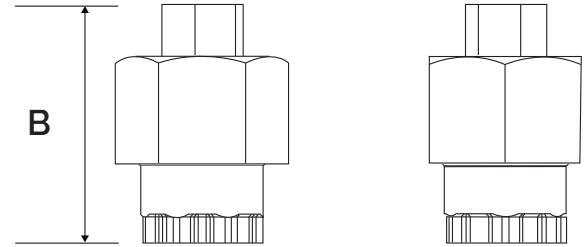
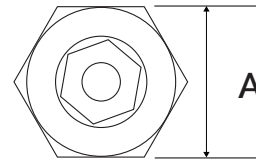
**Function:** The Trucklock® consists of a locking nut and a key. Each key has its own unique encryption which can be individually specified. The encryption corresponds to the coded pattern milled onto the lock. Trucklock® is suitable for steel and alloy wheels. It is recommended to fit the product by use of a torque wrench.

**Material:** Hardened, high quality, alloy steel.

**Application:** Mainly for commercial vehicles, such as trucks and buses.

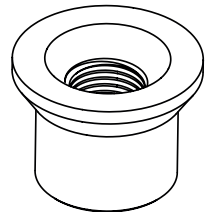
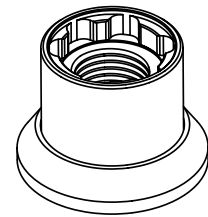
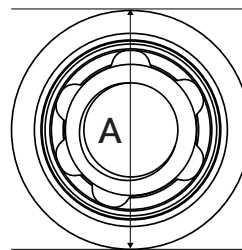
**Main benefits:** Helps prevent wheel and tyre theft. Does not have moving parts to corrode or jam. Easy to install.

**Sizes:** M22 x 1.5 thread for 10 stud hub mounted disc wheels.



## Key Specifications

A = 38 mm B = 60.2 mm



## Lock Specifications

A = 38 mm



**GLOBAL LEADERS  
 IN WHEEL SAFETY**

Tel: +44 (0)1524 271 200  
 info@checkpoint-safety.com  
 www.checkpoint-safety.com

**Checkpoint®**  
 THE ORIGINAL AND THE BEST