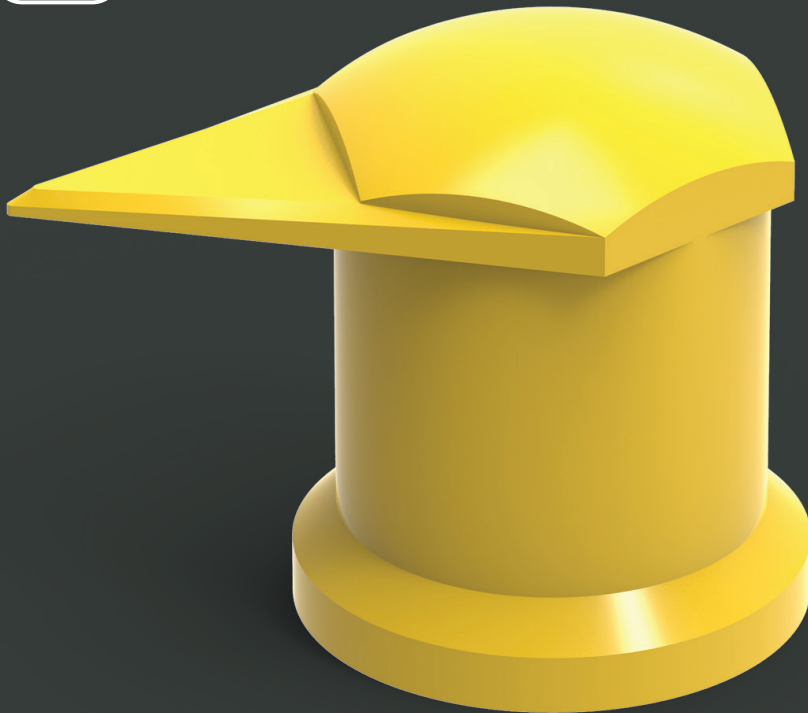


Dustite LR[®]

Dustite LR[®] is a loose wheel nut indicator and protective cap, which also provides an overheating indication. The LR version is designed for wheels with trims.



AVAILABLE

Colour	Size (mm)
Fluoro Yellow	17
	18
Red	19
	20
	21
Solid Yellow	22
	23
	24
Green	25
	26
	27
Orange	28
	29
	30
Blue	31
	32
	33
Olive Grey	34
	35
	36
Black	37
	38
	39
Silver Grey	40
	41
	42
White	43
	44
	45
	46
	47
	48
	49
	50

Dustite LR[®]

Product: Dustite LR[®] Yellow 27mm
Product Code: DTLRY27

Function: The Dustite LR[®] combines a loose wheel nut indicator and a protective cap, to indicate movement of the wheel nuts and to protect them from external elements such as water, dirt, road salts and rust. The Dustite LR[®] will also melt to indicate any overheating issues. This version is designed specifically for use on wheels with trims or step rings.

Material: We use high-grade virgin polymer to ensure product quality and reliability as an overheating indicator.

Melt temperature:

125°C/257°F (standard version).

165°C/329°F (HT version).

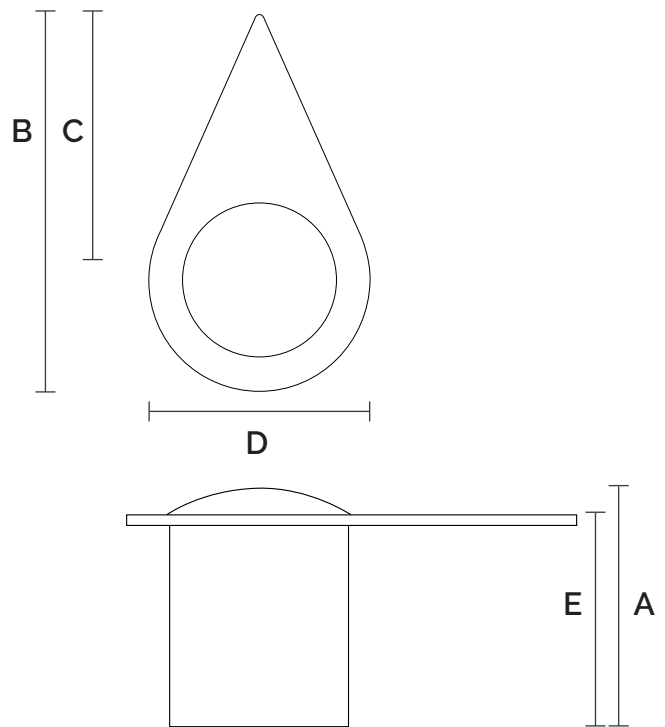
Application: Mainly for commercial vehicles such as trucks, agricultural vehicles, dangerous goods transporters, etc. It is also used in the industrial sector, and wherever safety critical fasteners can loosen due to heavy vibrations.

Main benefits: Improves the safety of nut fittings. Enables quick and easy visual checks and monitoring. Reduces maintenance costs by saving time and money.

Sizes: All sizes are measured across the flat (a/f) of the nut (in mm). Available in sizes as shown on the front page.

Colour: Other colours are available subject to quantity.

Bespoke barrel length : We can also offer shortening of the barrel length subject to size and availability (usual lead time 2-3 weeks depending on demand).



Specifications

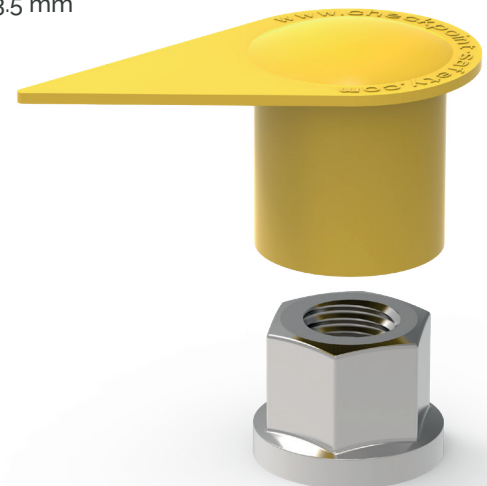
A = 39 mm

B = 82 mm

C = 60 mm

D = 34 mm

E = 33.5 mm



SPECIFICATIONS ARE VALID FOR ALL COLOURS IN THIS SIZE

**GLOBAL LEADERS
 IN WHEEL SAFETY**

Tel: +44 (0)1524 271 200
 info@checkpoint-safety.com
 www.checkpoint-safety.com

Checkpoint[®]
 THE ORIGINAL AND THE BEST